

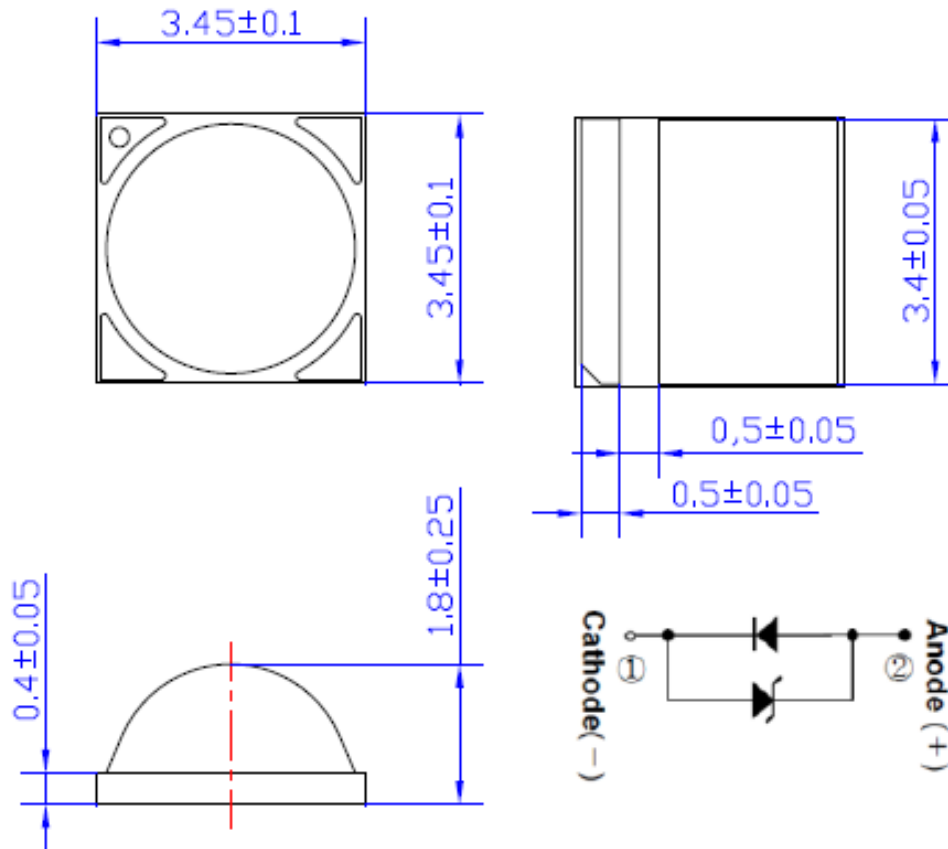


SHARLIGHT ELECTRONICS CO., LTD.

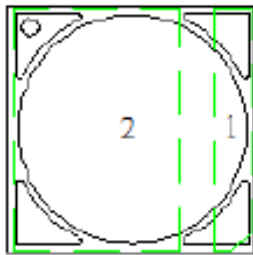
SPECIFICATION FOR APPROVAL

Part No. : SLM-3535NP4G-61C-JZ

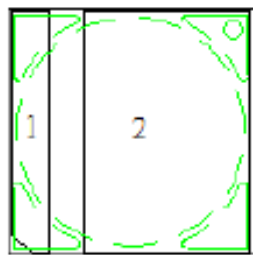
Package Dimensions



Pad Configuration



TOP



BOTTOM

PAD	Function
1	Cathode
2	Anode · Thermal

Part NO.	-	Lens Color	Emission Color
SLM-3535NP4G-61C-JZ	-	Water Clear	UVC

Notes

- All dimensions are in millimeters
- Tolerance is ± 0.25 mm
- Please don't put conductive material on the top surface of LEDs.**



SHARLIGHT ELECTRONICS CO., LTD.

SPECIFICATION FOR APPROVAL

Part No. : SLM-3535NP4G-61C-JZ

Features <ol style="list-style-type: none"> 1. Deep Ultraviolet LED 2. Dimension : 3.45mm(L)×3.45mm(W) 3. All Metal Design Cu Substrate 4. View Angle 120° 5. Low thermal resistance 	Applications <ol style="list-style-type: none"> 1. Disinfection 2. Chemical and Biological analysis
--	--

Absolute Maximum Ratings at TA=25°C

Parameter	Maximum Rating	Unit
Power Dissipation	500	mW
Max DC Forward Current	50	mA
Operating Temperature	-40°C to + 60°C	
Storage Temperature	-40°C to + 100°C	
Soldering Condition	260°C For 5 Seconds	

Notes :

1. The thermal resistance value is measured with MCPCB (Star).

Electrical / Optical Characteristics at TA=25°C

Parameter	Symbol	Min.	Typ.	Max.	Unit	Test Condition
Radiant Flux	Φ _e	4.0	7.5		mW	IF =50mA
Forward Voltage	V _F		7.0	10.0	V	IF =50mA
Radiant Irradiance	E _e		1.8		mW/cm ²	IF =50mA
Peak Emission Wav length	λ _P	265	-	278	nm	IF =50mA
Spectrum Half Width	Δλ		15		nm	IF =50mA
Viewing Angle	2θ _{1/2}		120		deg	IF =50mA
Thermal Resistance Junction-Case	R _{th,J-C1}			15	°C/W	IF =50mA

Notes :

1. Forward voltage measurement allowance is ± 0.2V.
2. Radiant flux measurement allowance is ± 10%.
3. Irradiance tested at a distance 10mm from lens top.
4. Wavelength measurement allowance is ± 3nm.

LISTER : 周素華 08-06-20	EDITOR : 08-06-20	DATE : 08-06-20	REV : A
-----------------------	-------------------	-----------------	---------



SHARLIGHT ELECTRONICS CO., LTD.

SPECIFICATION FOR APPROVAL

Part No. : SLM-3535NP4G-61C-JZ

● Bin Code List for Reference

(T_J=25°C)

Item	Bin code	Symbol	Condition	Min.	Max.	Unit
Forward Voltage ¹	E	V _F	I _F =50 [mA]	5	6	V
	F			6	7	
	G			7	8	
	H			8	9	
	J			9	10	
Radiant Flux ²	A40	Φ _e	I _F =50 [mA]	4	6	mW
	A60			6	10	

Bin Rank : V_F-Φ_e

Note

1. Forward voltage measurement allowance is ± 0.2V.
2. Radiant flux measurement allowance is ± 10%.

Recommended Solder Pattern

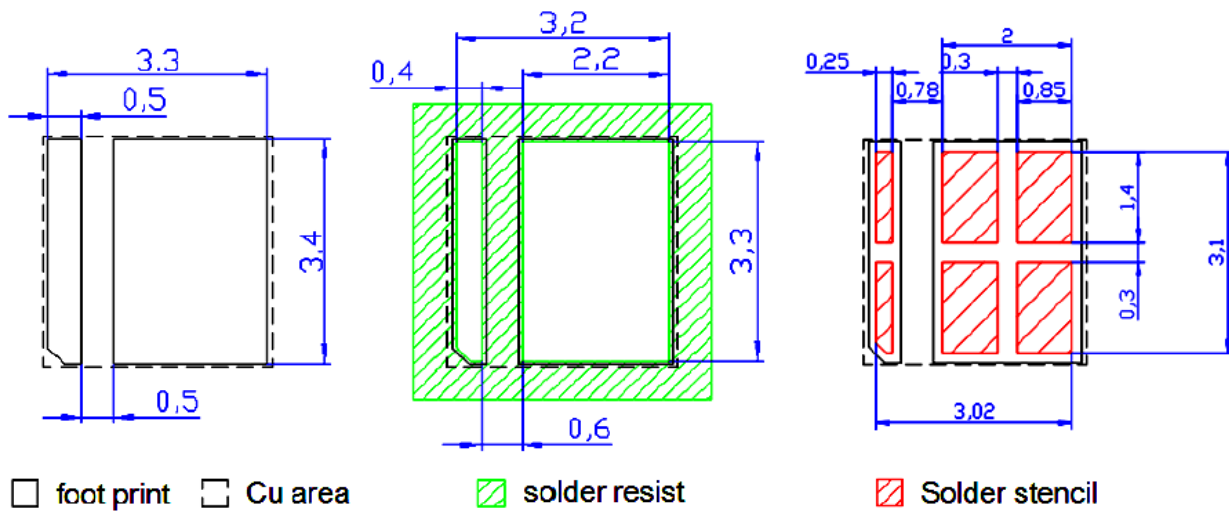


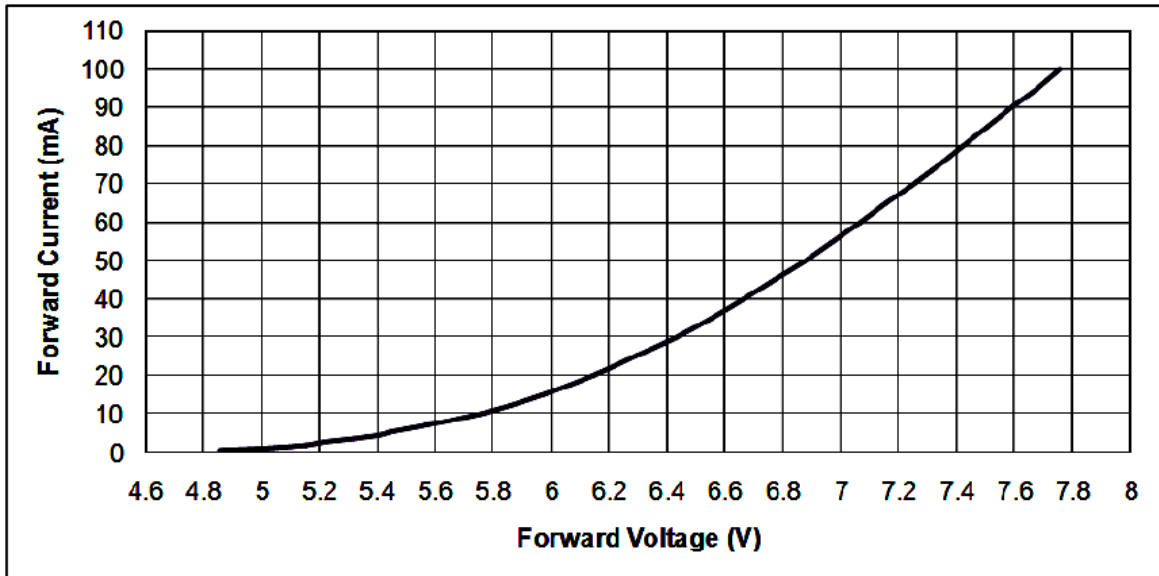
Fig. Solder Pad Layout.



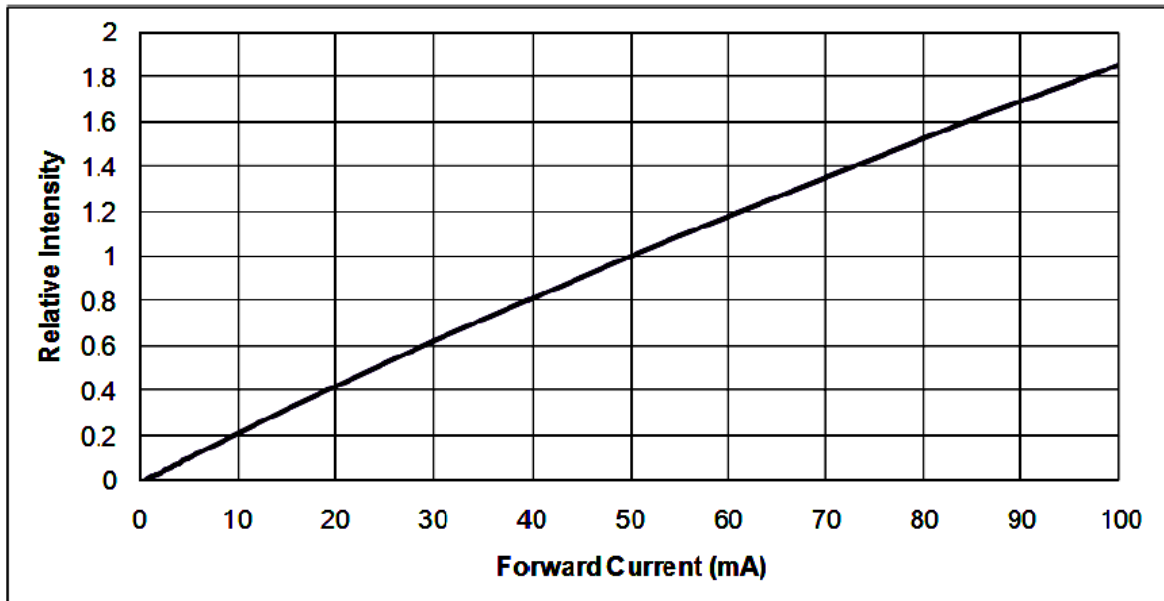
Part No. : SLM-3535NP4G-61C-JZ

Characteristic Diagram

- Forward Current vs. Forward Voltage



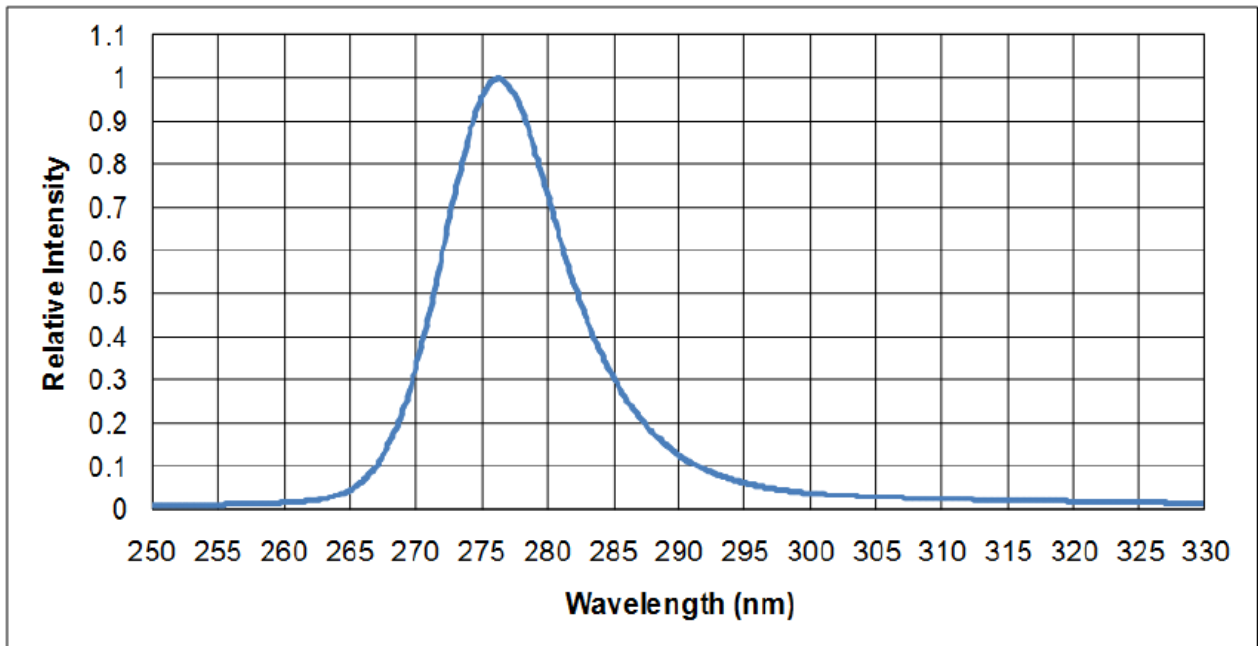
- Relative Intensity vs. Forward Current



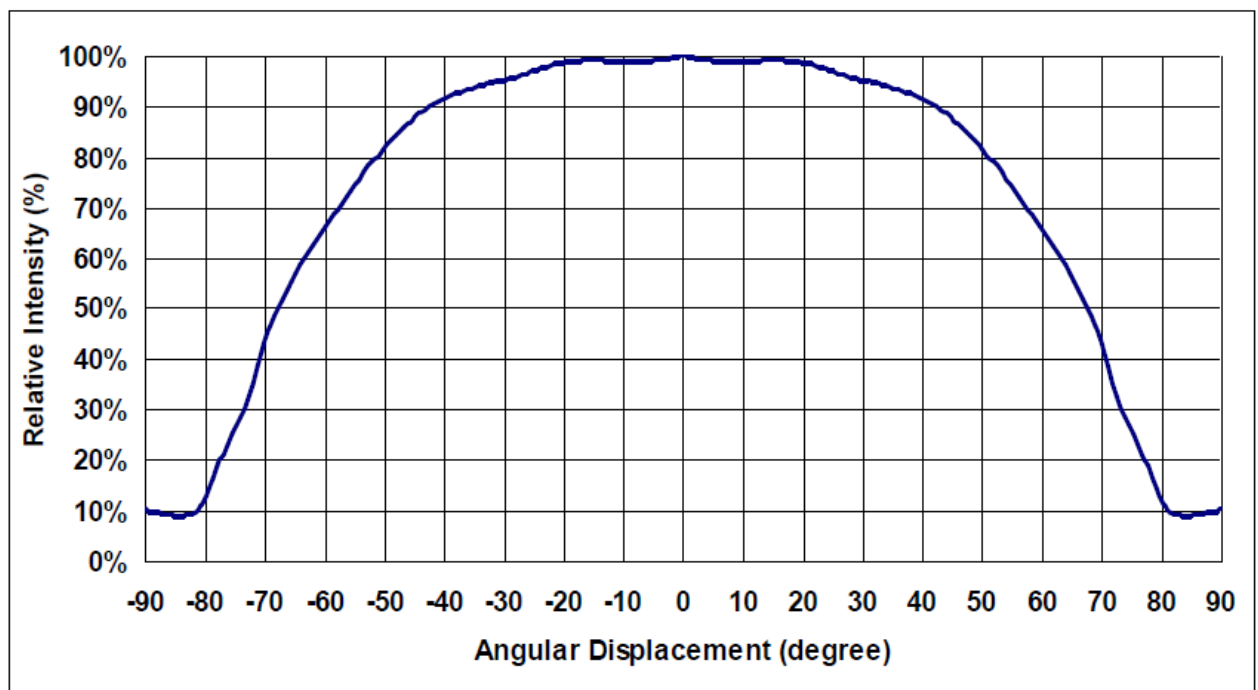


Part No. : SLM-3535NP4G-61C-JZ

● **Spectral Power Distribution**



● **Typical Radiation Pattern**

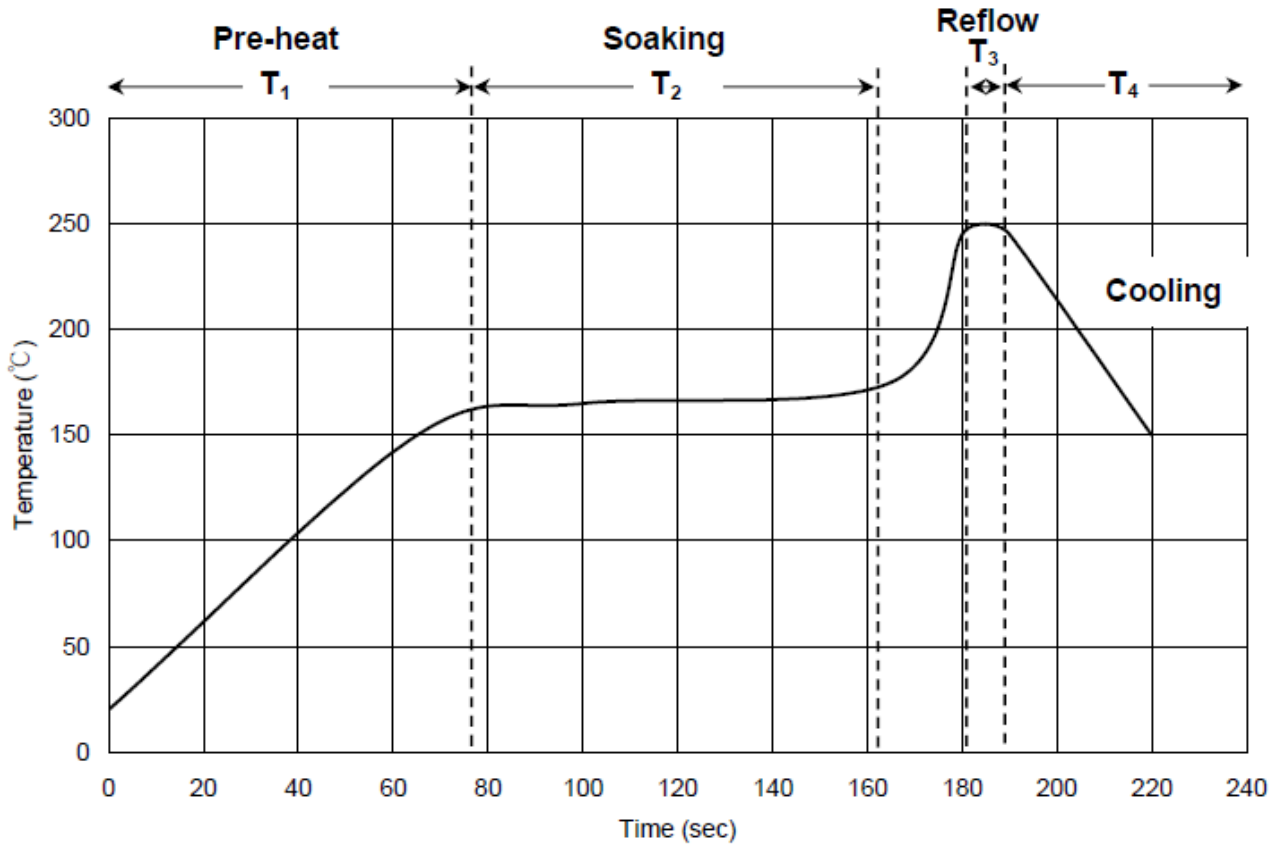




Part No. : SLM-3535NP4G-61C-JZ

Recommended Solder Profile

Soldering Recommended soldering conditions:



T ₁	Ramp up rate	1.0 ~ 3.0 °C/sec
	Pre-heat time	50 ~ 80 sec
T ₂	Soaking temperature	155 ~ 185 °C
	Dwell time during soaking	60 ~ 120 sec
T ₃	Reflow temperature	240 ~ 250 °C
	Reflow time	Max 10 sec
	Ramp up rate during reflow	1.2 ~ 2.3 °C/sec
T ₄	Cooling	1.0 ~ 6.0 °C/sec

Note: Suggest using Sn96Ag3Cu0.5 lead free solder.

Cleaning

Use alcohol-based cleaning solvents such as isopropyl alcohol to clean the LED if necessary.



SHARLIGHT ELECTRONICS CO., LTD.

SPECIFICATION FOR APPROVAL

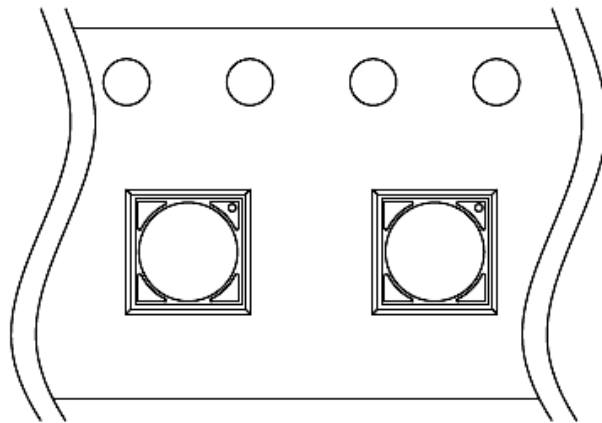
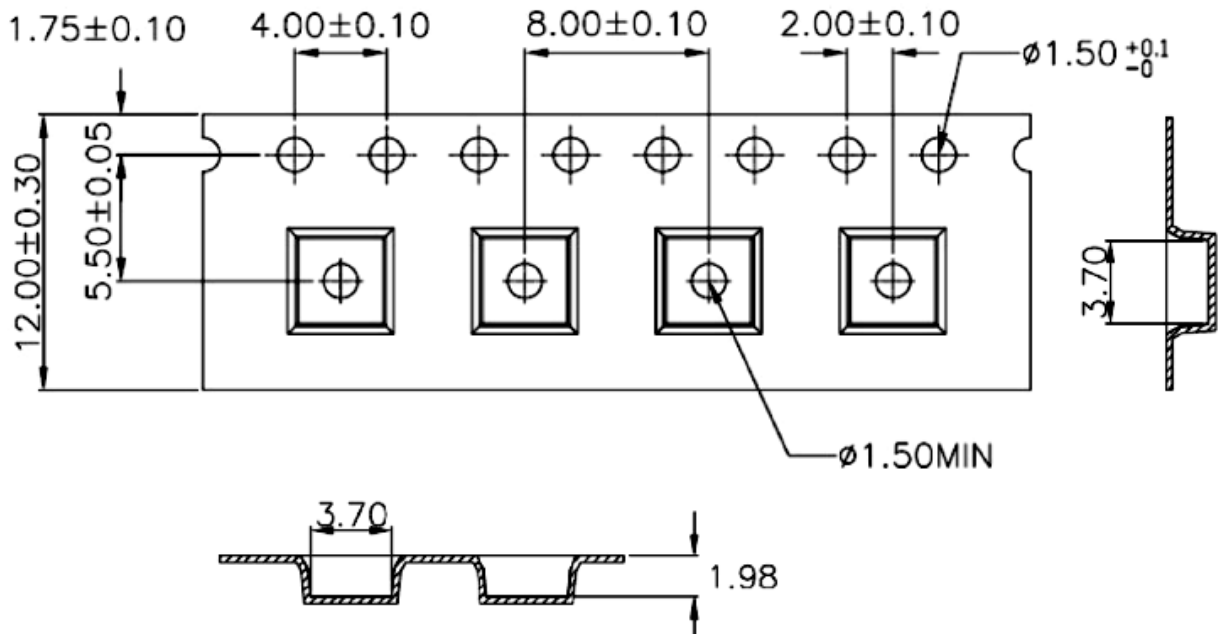
Part No. : SLM-3535NP4G-61C-JZ

Shipping Package Style

Tapping Dimension Packaging Specification

- Moisture proof bag.
- 1 Reel/bag.
- Q'ty: 700(MAX)/Reel

Unit : mm





SHARLIGHT ELECTRONICS CO., LTD.

SPECIFICATION FOR APPROVAL

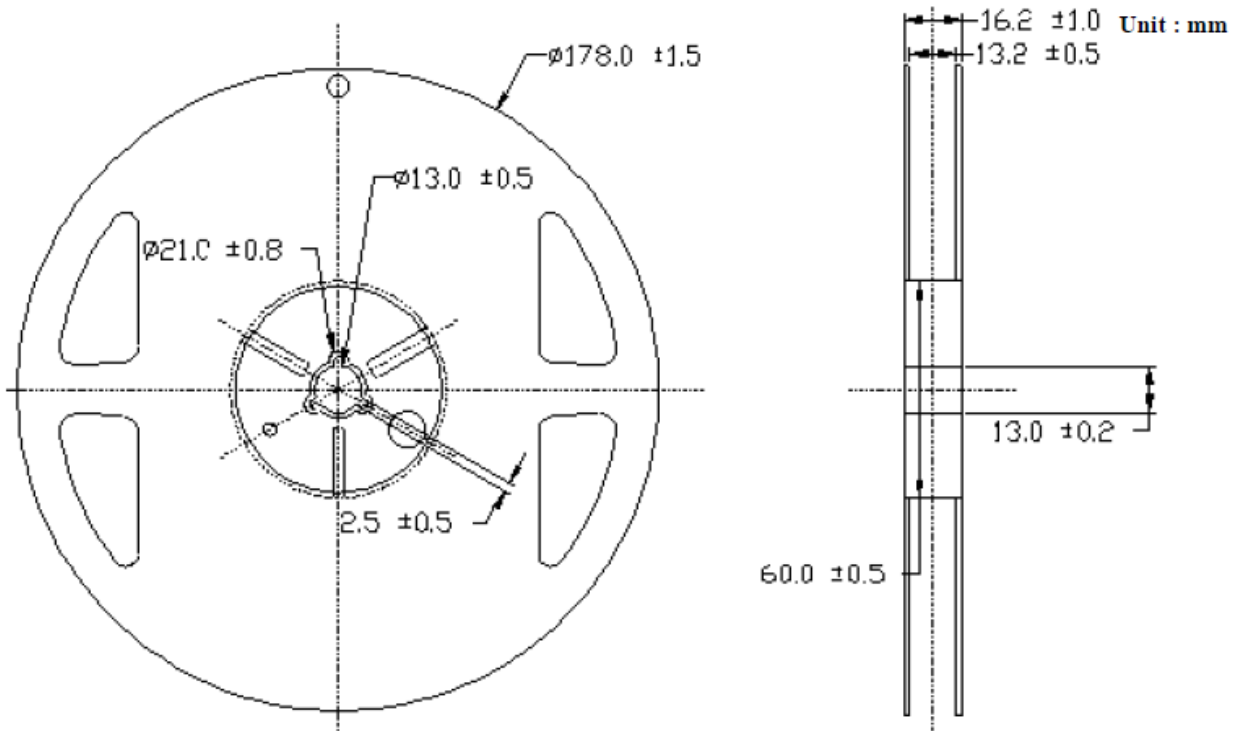
Part No. : SLM-3535NP4G-61C-JZ

Package

Box Type	Dimension (mm)	Reel/Box	120° Lens Type(Pcs)
Small Box(S)	230x85x265	5 Reel/Box	3500
Middle Box(M)	470x265x270	30 Reel/Box	21000
Large Box(L)	470x435x270	50 Reel/Box	35000

Reel Packaging :

Reel Part :



Do not poke the Led Lens with sharp object



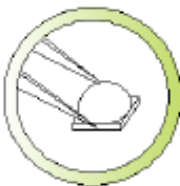
Do not stack assembled PCB



Do not hold the Led with hand



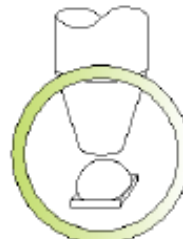
Do not press or push the Led Lens



Hold the Led only by the substrate



Clean the LED surface with cotton bud



Use pick and place nozzle per recommendation in data sheet